

Re-design of DC block.

S. Kazakov

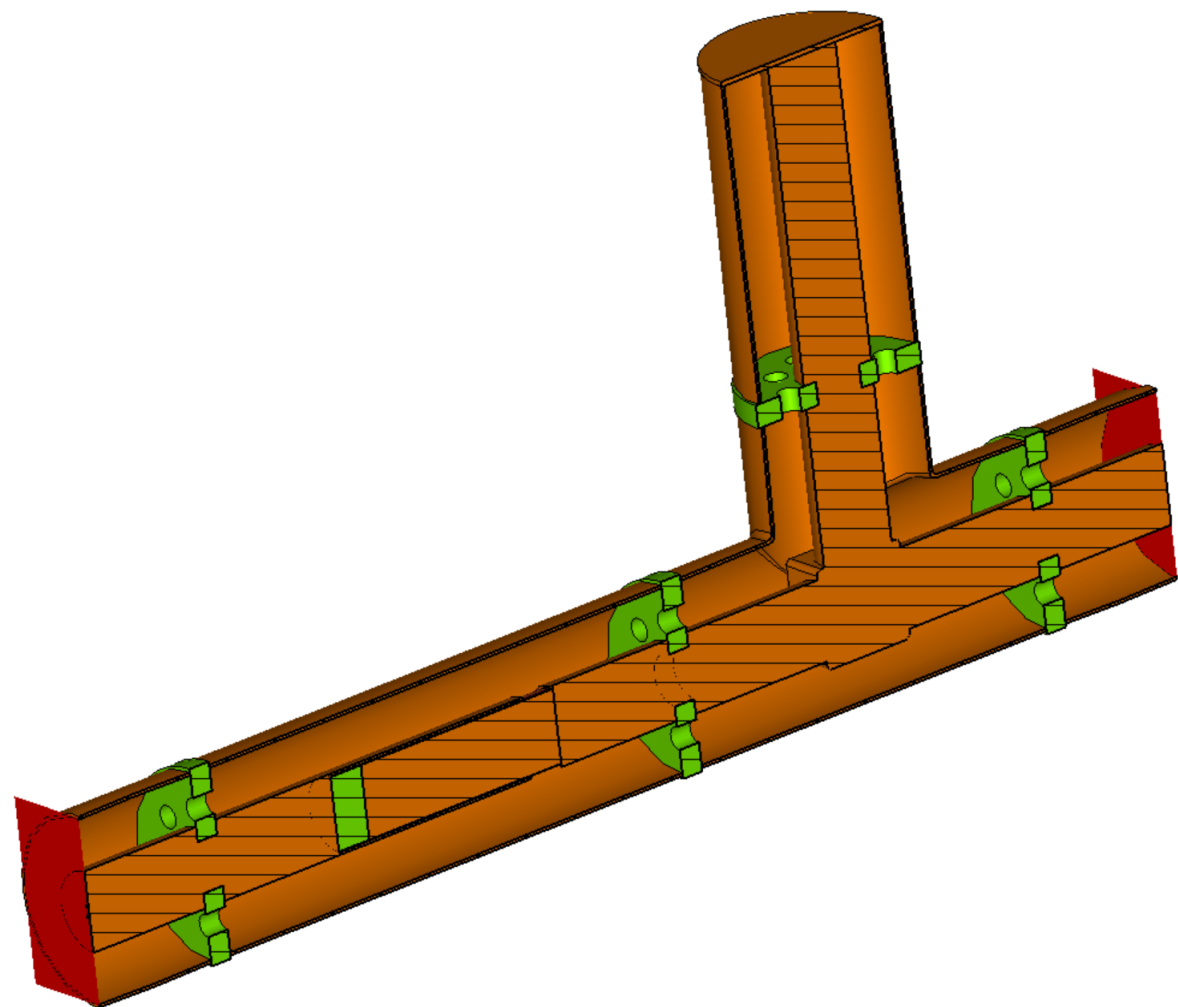
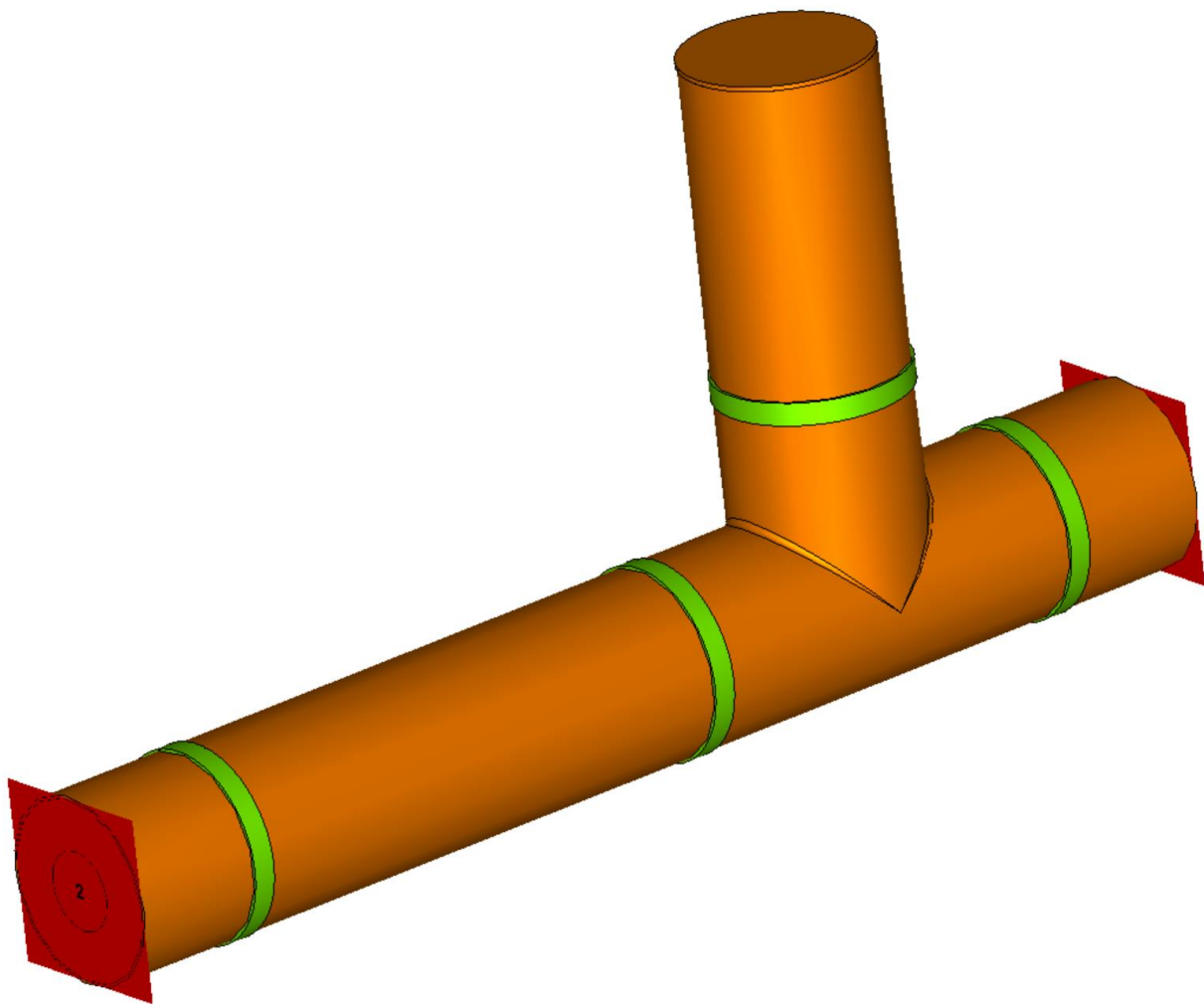
06/05/2020

Reasons to re-design of DC block:

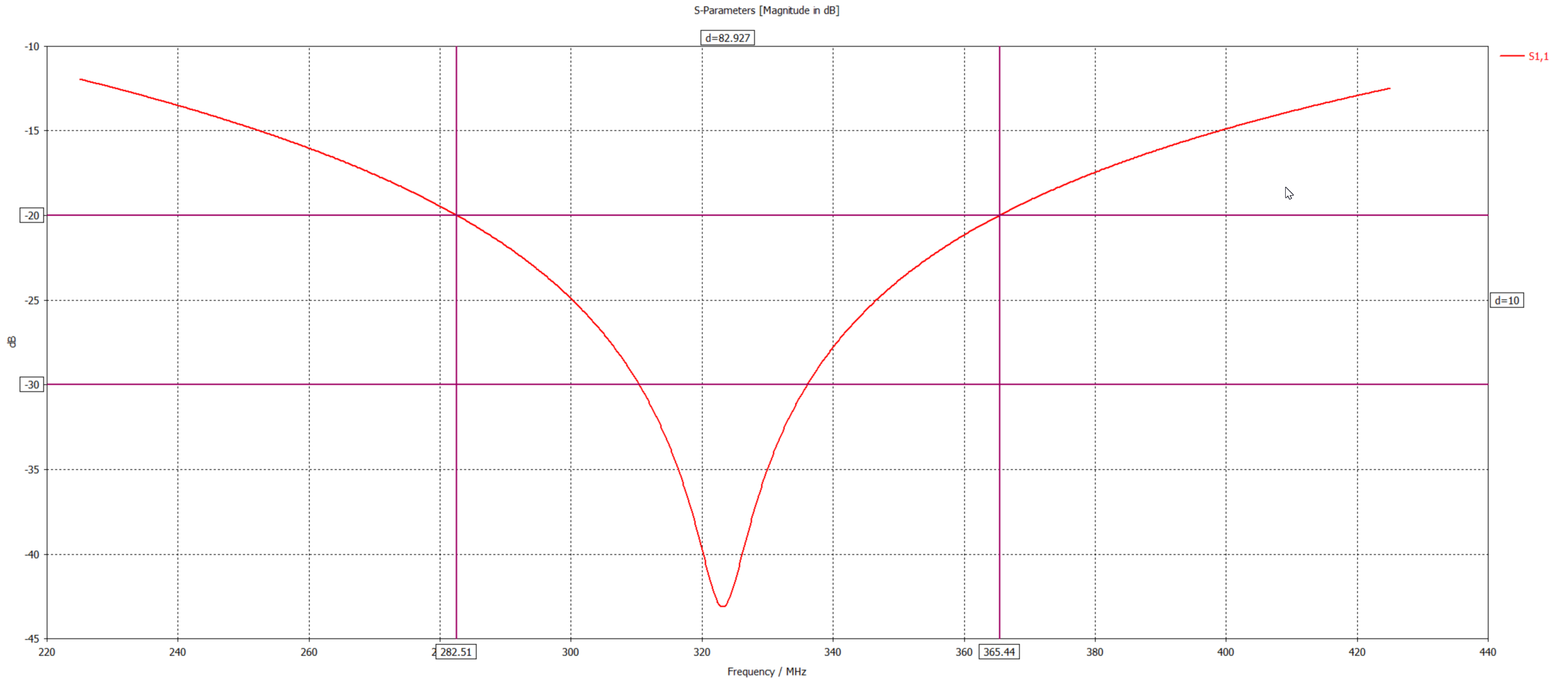
- To make it simpler and less expensive for production (to use as much as possible standards parts).
- To make it easier for assembling / disassembling during operation.

Design is based on previous design which was tested experimentally.
There should be no “surprises”.

RF model of DC block



Pass band of DC block is ~ 83 MHz at -20dB level.



Parts of DC block.

