

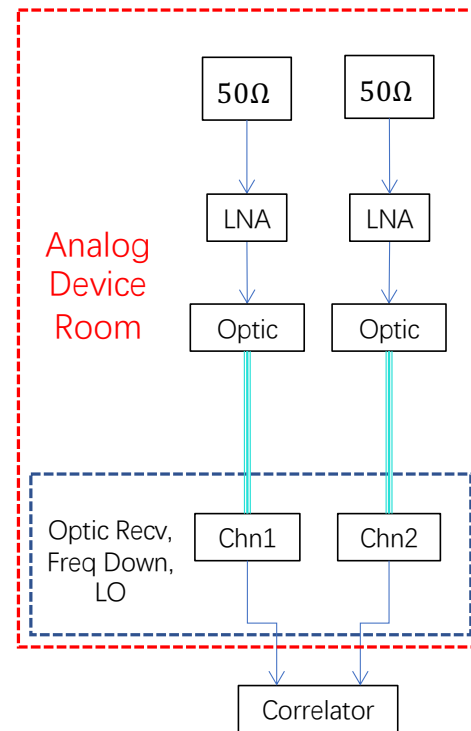
Cross-coupling Test

Jixia Li, Cong Zhang, Fengquan Wu

2023/8/22

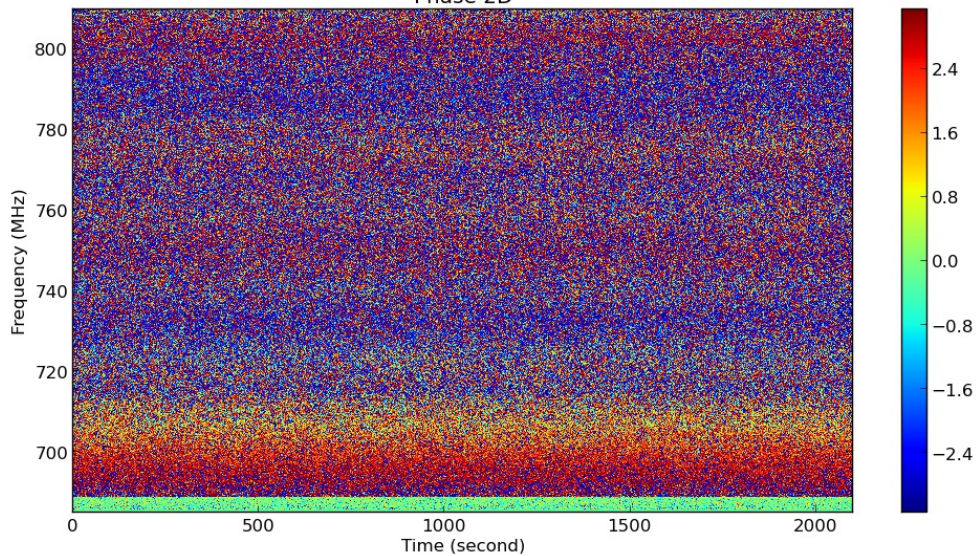
Measurement Setup

- Obs. Time 2100 sec
- All in analog device room.

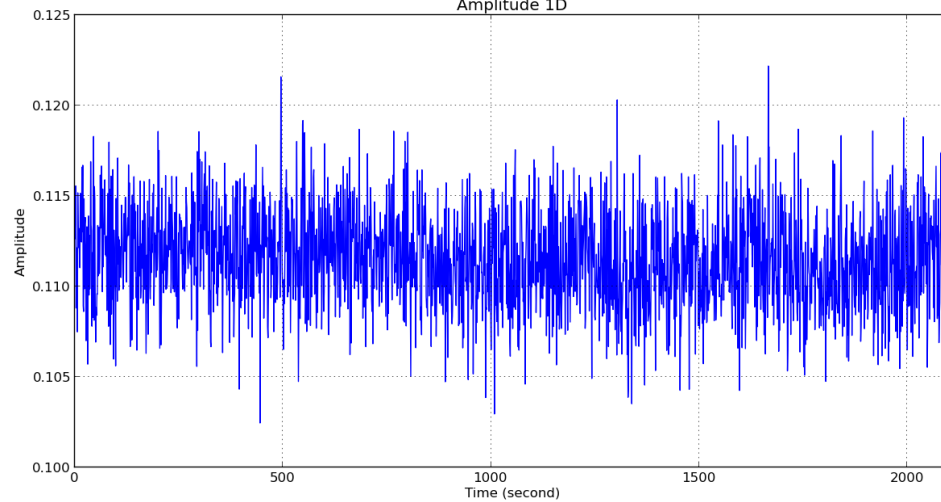


Measurement diagram

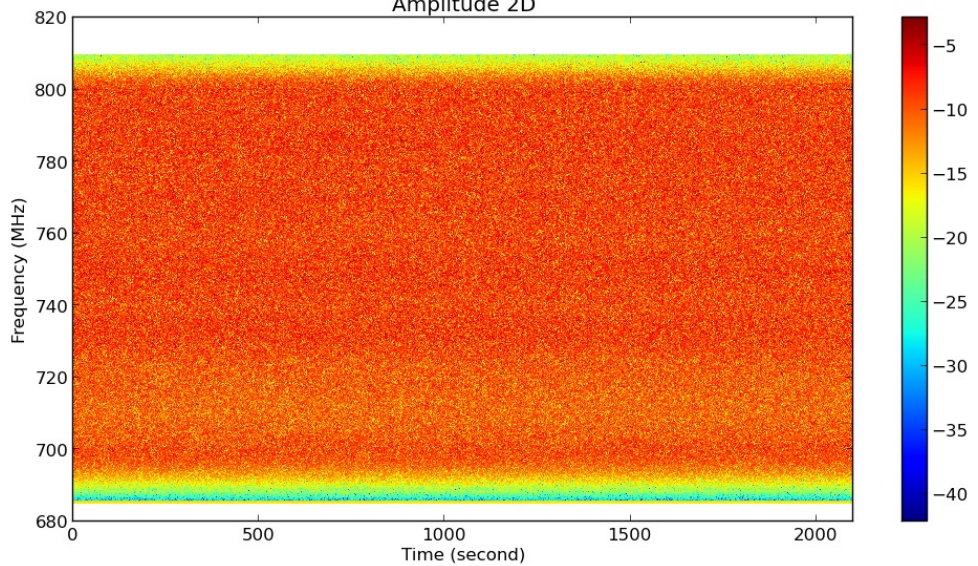
Phase 2D



Amplitude 1D



Amplitude 2D



Spectrum

