

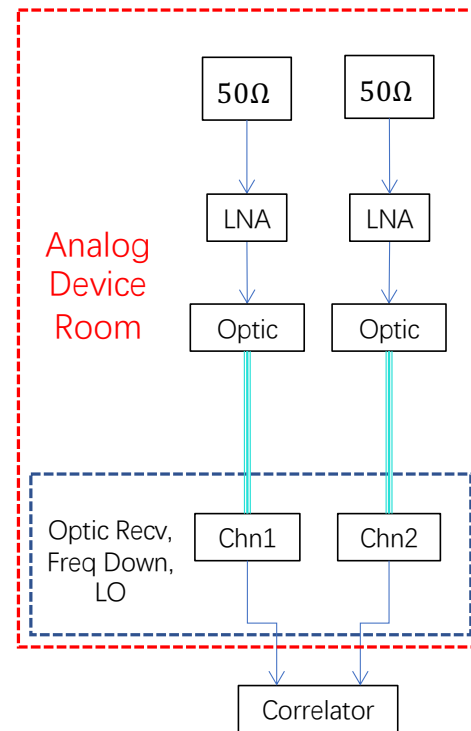
Cross-coupling Test

Jixia Li, Cong Zhang, Fengquan Wu

2023/8/22

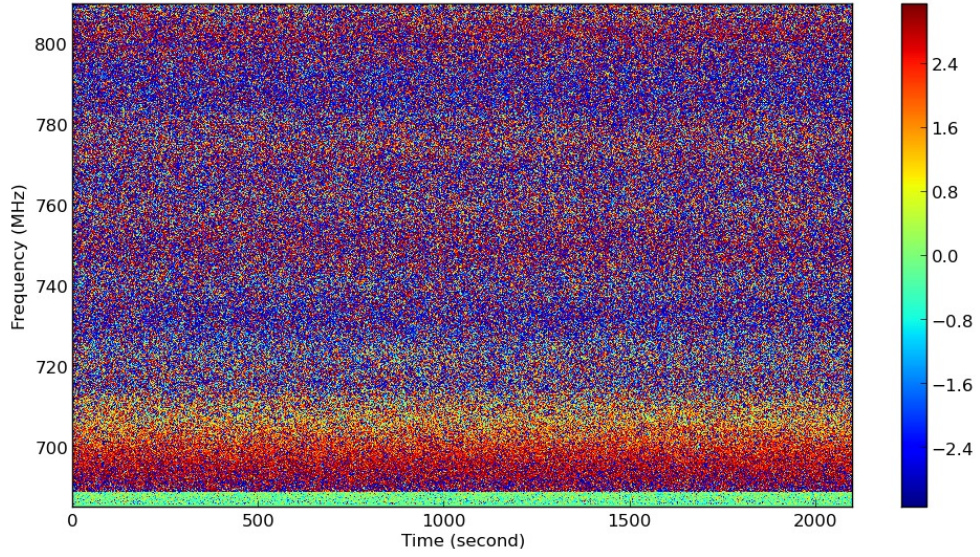
Measurement Setup

- Obs. Time 2100 sec
- All in analog device room.

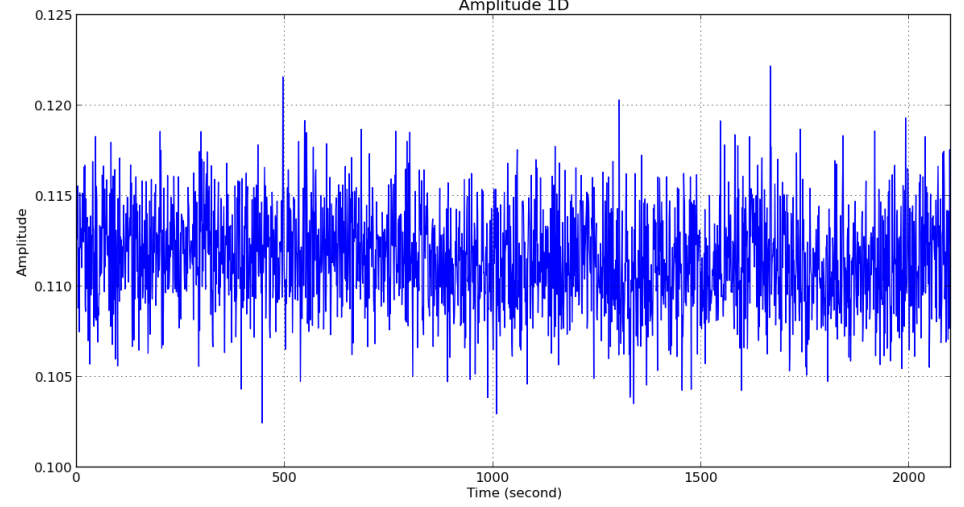


Measurement diagram

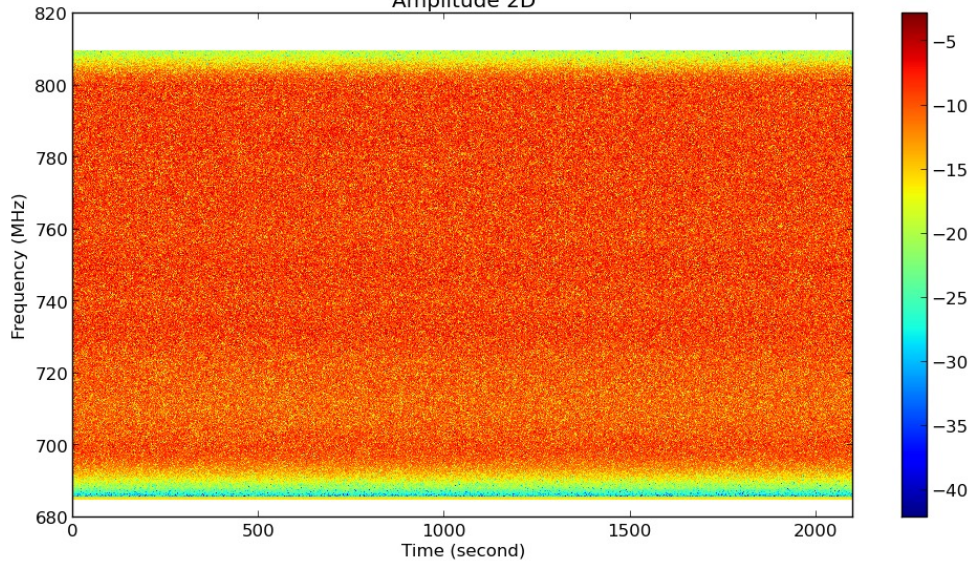
Phase 2D



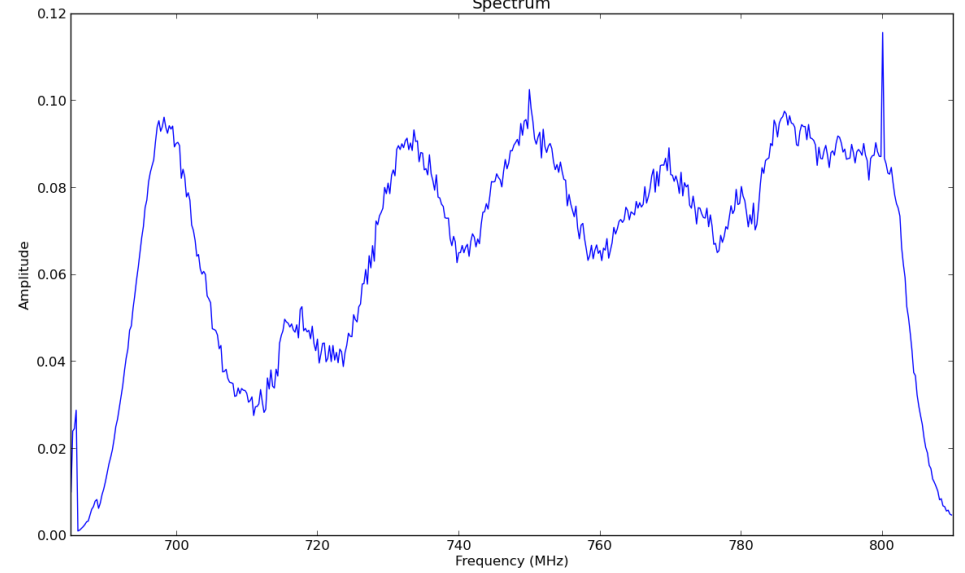
Amplitude 1D



Amplitude 2D



Spectrum



- $\frac{\overline{|V_{ab}|}}{\sqrt{\overline{|V_{aa}|} \cdot \overline{|V_{bb}|}}}$
- Time averaged modulus of visibility

- $\frac{\overline{|V_{ab}|}}{\sqrt{\overline{|V_{aa}|} \cdot \overline{|V_{bb}|}}}$
- Modulus of time averaged visibility

