

C:\Documents\Autodesk\2649791_Ferriab_Mech_LR18_Anthony_Pustolera.rvt

REV.	DATE	DESCRIPTIONS	REVISIONS
03.11.20	FD-13 100 FINAL DESIGN		

A/E CONSULTANT	DATE
DESIGNED ARUP	2020-03-06
DRAWN AMP	2020-03-06
CHECKED DW	2020-03-09
APPROVED RT	2020-03-11

SCALE: 12" = 1'-0"

KEYPLAN

PERKINS + WILL

410 North Michigan Avenue
 t 312.755.0770
 f 312.755.0775
 www.perkinswill.com

CONSULTANTS

ARUP NORTH AMERICA LTD.
 35 E Upper Wacker Dr
 Suite 1900
 Chicago, IL 60601
 t 312.849.5610
 www.arup.com

TERRA
 225 W. Ohio Street
 4th Floor
 Chicago, IL 60654
 t 312.467.0123
 f 312.467.0220
 www.terraengineering.com

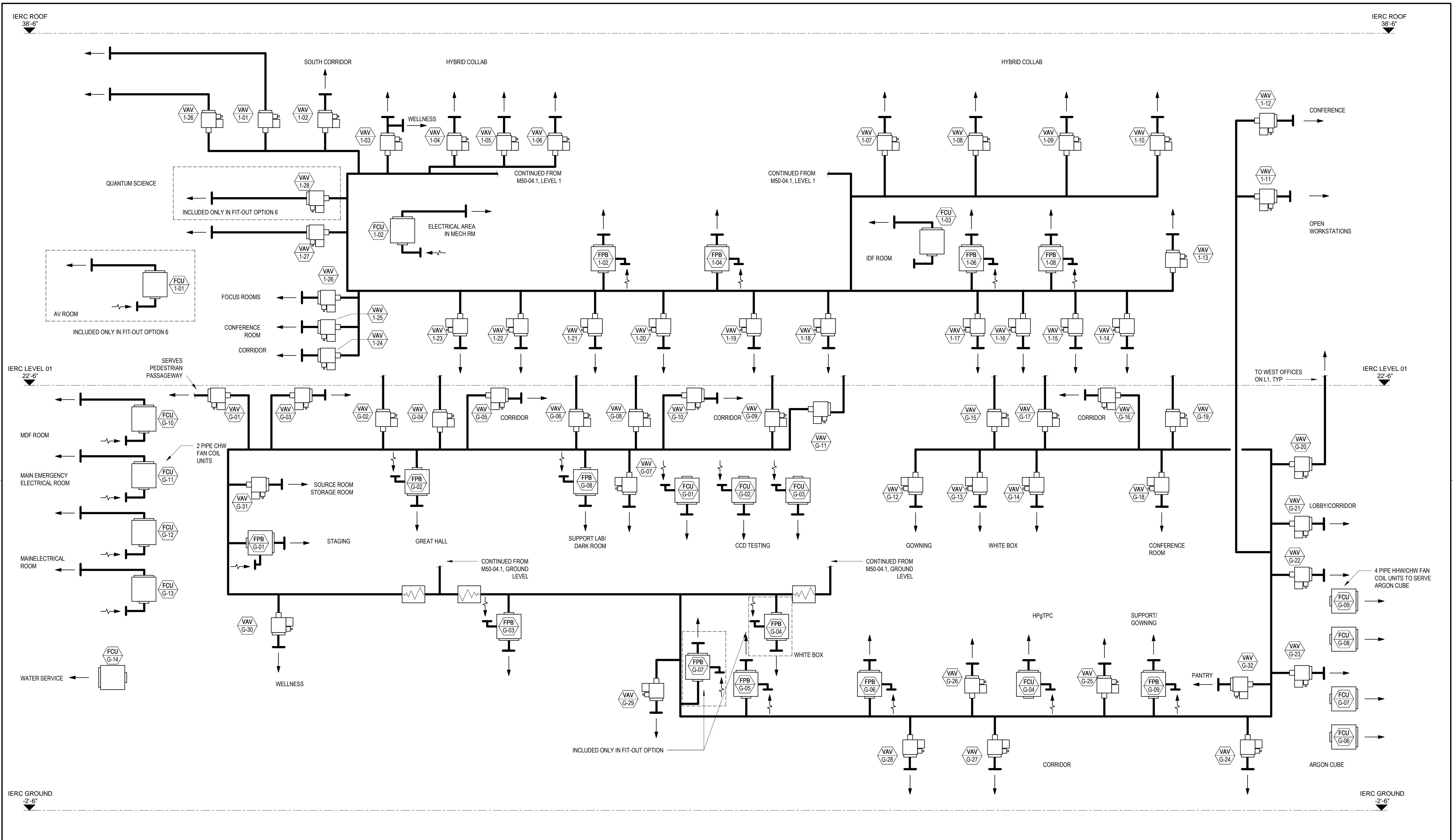
CCS
 1815 S. Meyers Road
 Suite 1070
 Oakbrook Terrace, IL 60181
 t 800.443.8607
 f 630.678.0858
 www.ccsdifference.com



FERMI NATIONAL ACCELERATOR LABORATORY
 UNITED STATES DEPARTMENT OF ENERGY

MECHANICAL SUPPLY AIRSIDE RISER

DRAWING NO. 2-6-1 M50-04.1 REV.



C:\Documents\Aurora\264979_Fermilab_MECH_LR18_Authority_Pustiera.rvt

REV.	DATE	DESCRIPTIONS
03.11.20	FD-13 100 FINAL DESIGN	
		REVISIONS

A/E CONSULTANT		DATE
DESIGNED	ARUP	2020-03-06
DRAWN	DP	2020-03-06
CHECKED	DW	2020-03-09
APPROVED	RT	2020-03-11

KEYPLAN	
SCALE:	12" = 1'-0"

PERKINS + WILL

410 North Michigan Avenue
 1312.755.0770
 1312.755.0775
 www.perkinswill.com

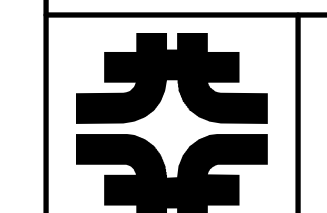
CONSULTANTS

ARUP NORTH AMERICA LTD.
 35 E Upper Wacker Dr
 Suite 1900
 Chicago, IL 60601
 1.312.849.5610
 www.arup.com

TERRA
 225 W. Ohio Street
 4th Floor
 Chicago, IL 60654
 t 312.467.0123
 f 312.467.0220
 www.terraengineering.com

CCS
 1815 S. Meyers Road
 Suite 1070
 Oakbrook Terrace, IL 60181
 t 800.443.8607
 f 630.678.0858
 www.ccsdifferenc.com

FERMI NATIONAL ACCELERATOR LABORATORY
 UNITED STATES DEPARTMENT OF ENERGY

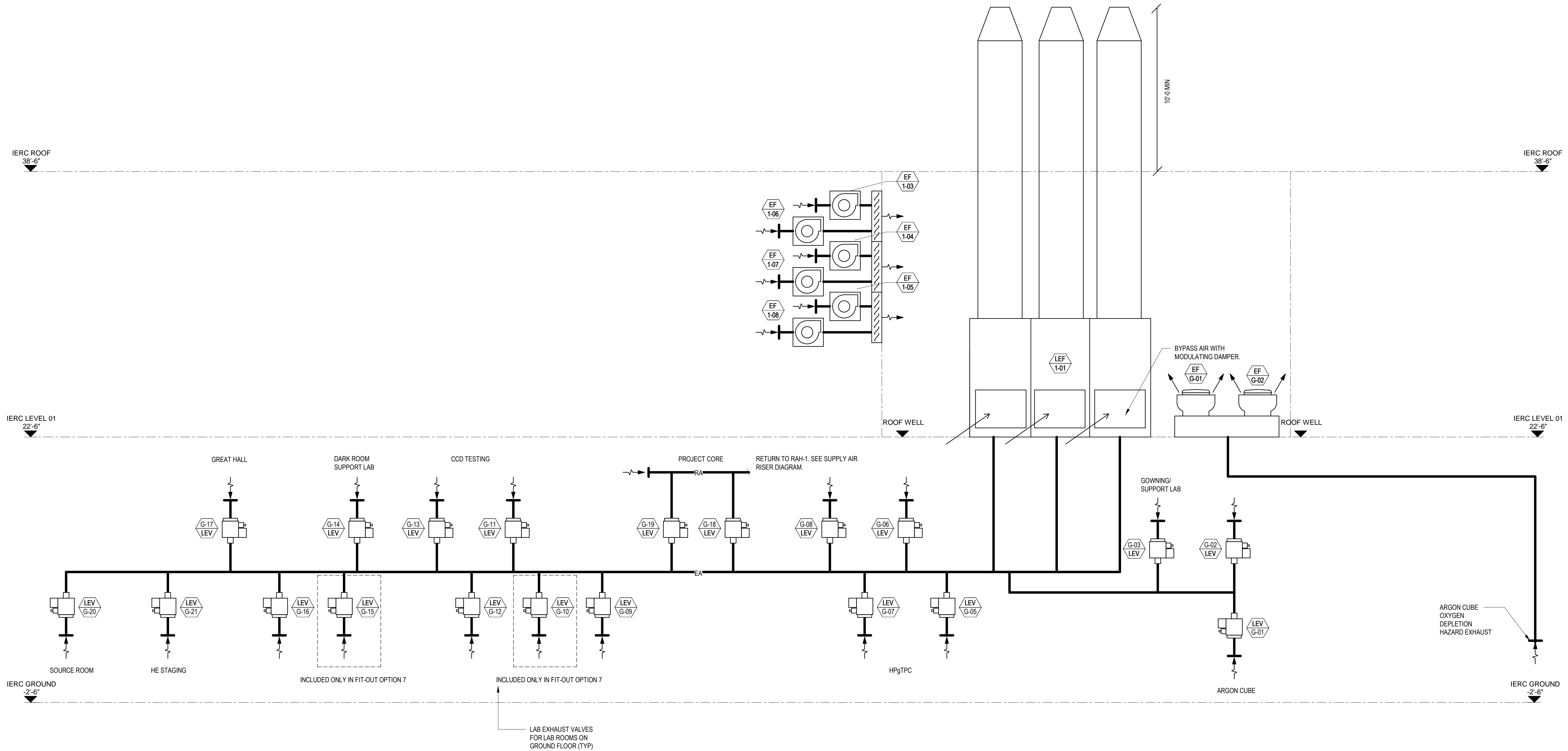


MECHANICAL SUPPLY AIRSIDE RISER

DRAWING NO. 2-6-1

M50-04.2

REV.



1 EXHAUST AIRSIDE RISER
12" = 1'-0"

C:\Documents\Autodesk\2648793_Ferriab_MECH_LR18_Anthony_Pusateri.rvt

REV.	DATE	DESCRIPTIONS	REVISIONS
	03.11.20	FD-13 100 FINAL DESIGN	

A/E CONSULTANT		DATE
DESIGNED	ARUP	2020-03-06
DRAWN	AMP	2020-03-06
CHECKED	DW	2020-03-09
APPROVED	RT	2020-03-11

SCALE: 12" = 1'-0"

KEYPLAN

PERKINS + WILL

410 North Michigan Avenue
Chicago, IL 60611
t 312.755.0770
f 312.755.0775
www.perkinswill.com

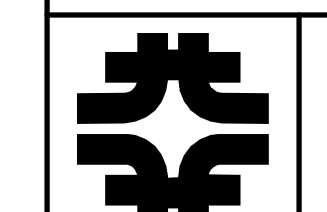
CONSULTANTS

ARUP NORTH AMERICA LTD.
35 E Upper Wacker Dr
Suite 1900
Chicago, IL 60601
t 312.849.5610
www.arup.com

TERRA
225 W. Ohio Street
4th Floor
Chicago, IL 60654
t 312.467.0123
f 312.467.0220
www.terraengineering.com

CCS
1815 S. Meyers Road
Suite 1070
Oakbrook Terrace, IL 60181
t 800.443.8607
f 630.678.0858
www.ccsdifference.com

FERMI NATIONAL ACCELERATOR LABORATORY
UNITED STATES DEPARTMENT OF ENERGY



MECHANICAL EXHAUST AIRSIDE RISER

DRAWING NO. 2-6-1 M50-05 REV.