



# STT gas flow inside the manifold

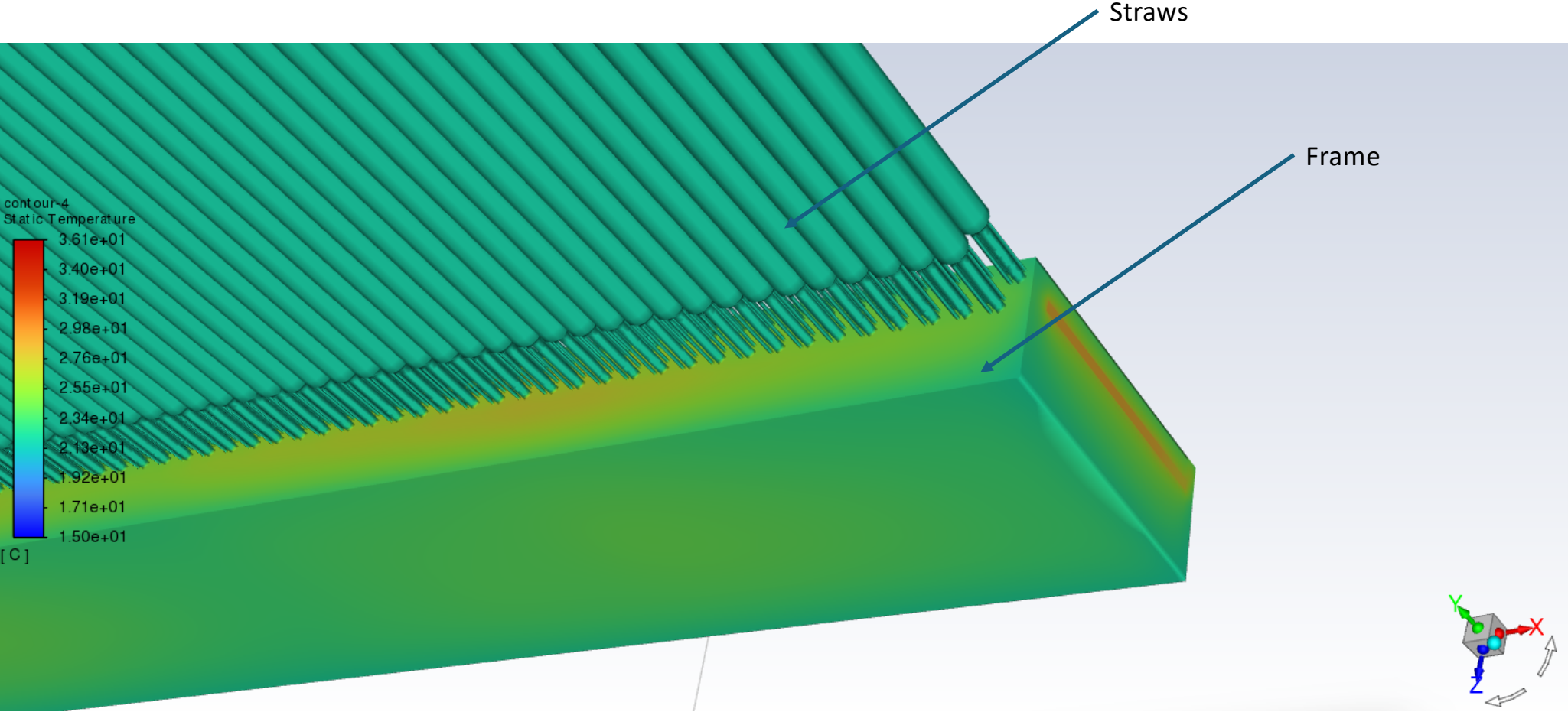
*Otari Kemularia*

Georgian Technical University, Tbilissi, Georgia

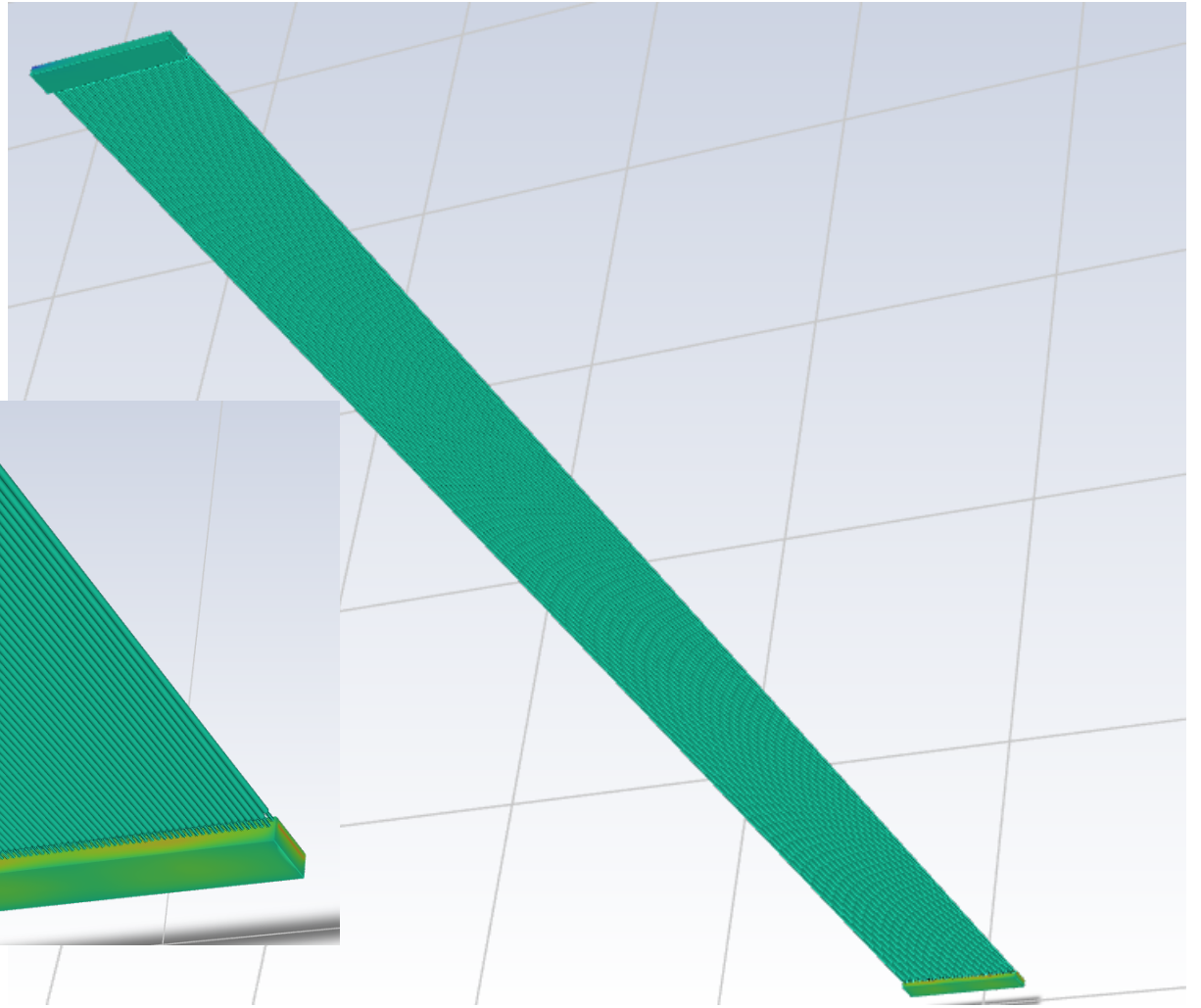
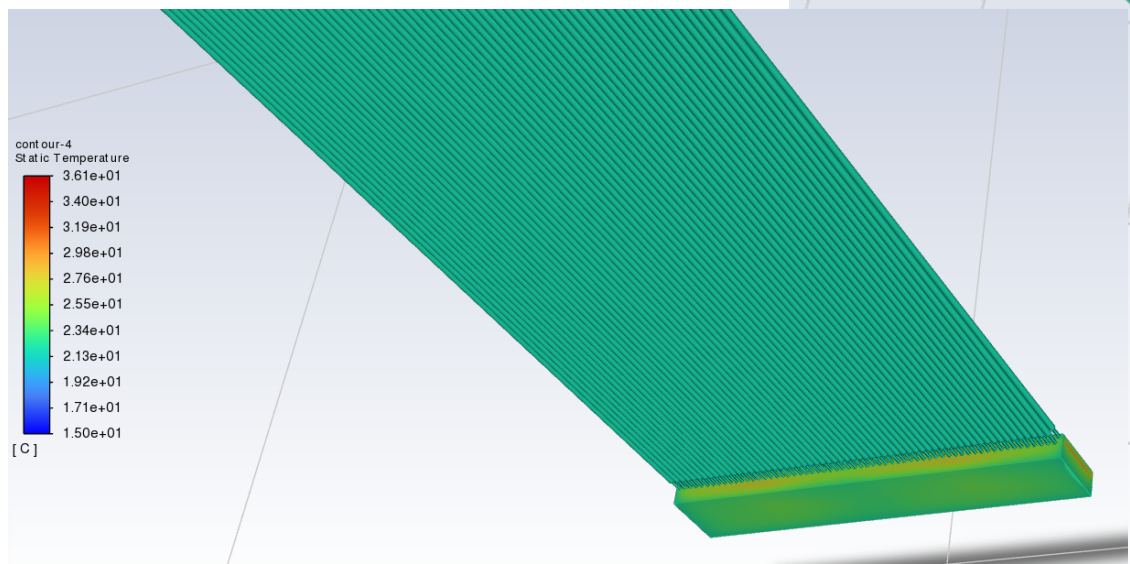
20 March 2024

R. Petti, O. Kemularia

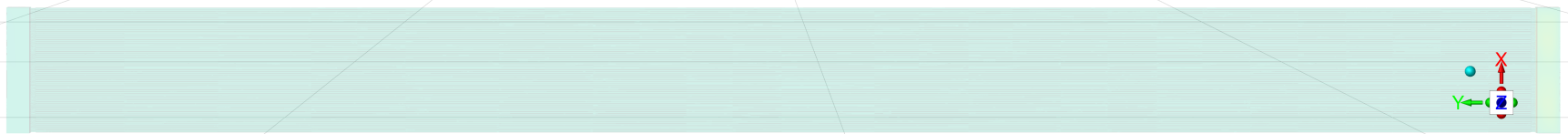
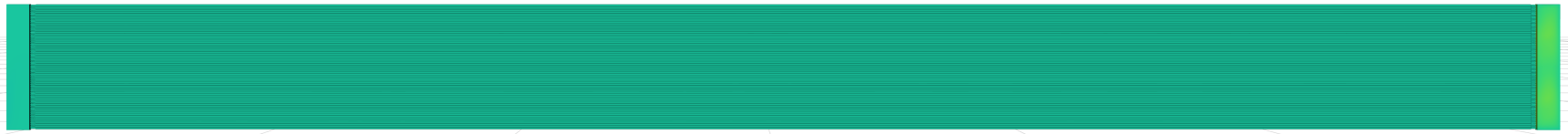
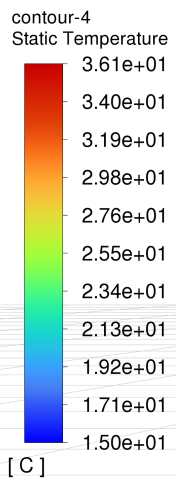
# Temperature Contours in the Domain



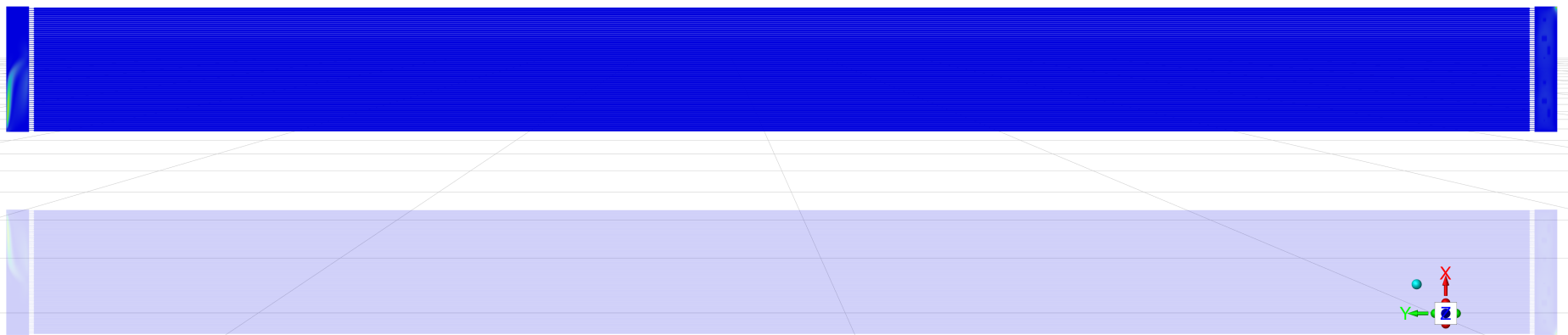
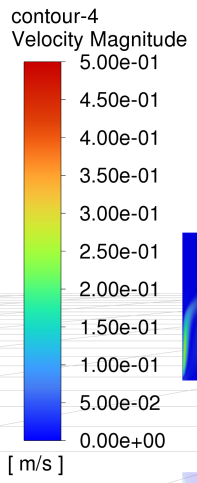
Domain consisting of 2 PCBs  
And corresponding pipes and frame sections



# Temperature Contours in the Domain



# Velocity Distribution



# Static pressure distribution

