

# Field Cage Endwall G10 Alignment Strip

T. Kutter, T. Stokes

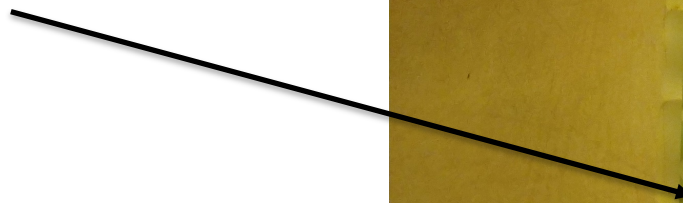
on behalf of the LSU FC endwall team

LSU

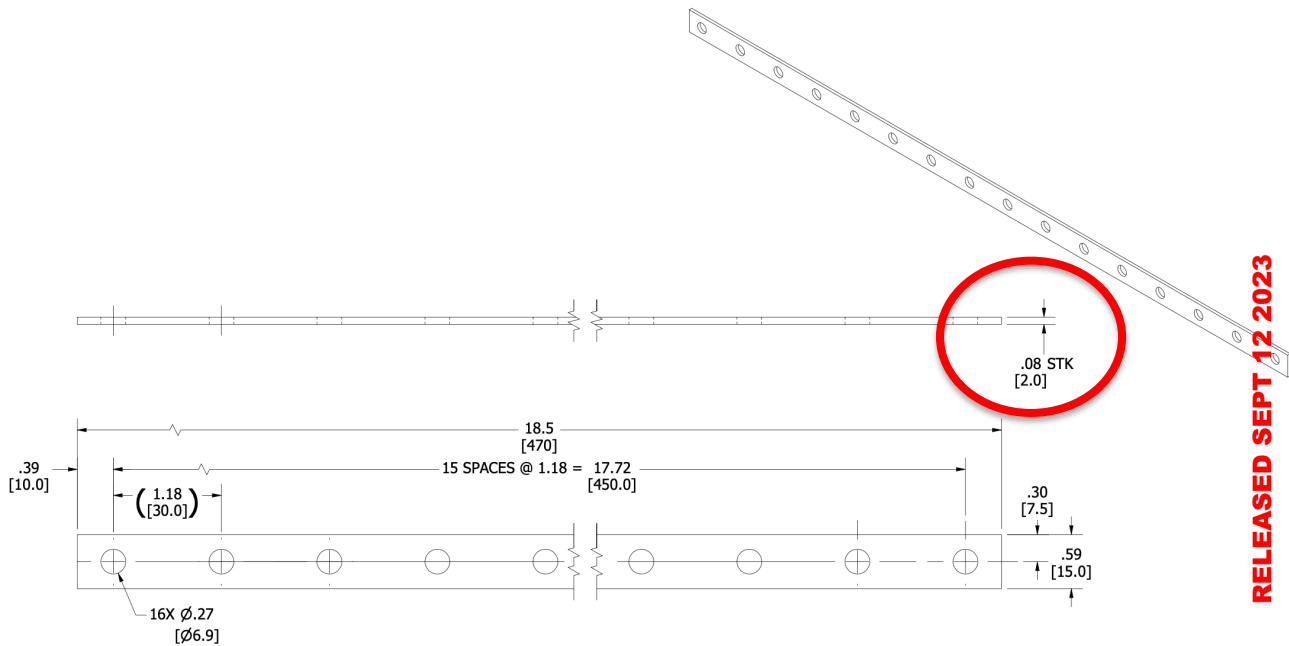
# FC Endwall Alignment Strip



G10 Alignment Strip



# FC Endwall Alignment Strip

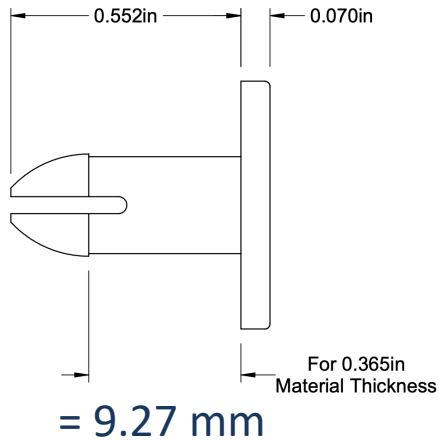


- NOTES:  
 1 - ALL DIMENSIONS IN INCHES [mm].  
 2 - APPROX. WEIGHT = 0.1 LBS

<b>UNLESS OTHERWISE NOTED</b> ALL DIMENSIONS ARE INCHES DECIMAL TOLERANCE .X ± .1 .XX ± .01 .XXX ± .005 ANGULAR TOL ± 1/2 FRACTIONAL TOL ± 1/64 THIRD ANGLE PROJECTION REMOVE ALL BURRS AND SHARP EDGES SURFACES TO BE IN ACCORDANCE WITH LATEST AND ENG. DIMENSIONS & TOLERANCES IN ACCORDANCE WITH LATEST ASME Y14.5M	STATUS: <b>RELEASED</b>		DO NOT SCALE DRAWING		Argonne NATIONAL LABORATORY	NEXT ASSEMBLY: DFD-22-5520, -5540	QTY. REQ'D
	DRAWN BY: <b>RTKMAK</b>	DATE: <b>2/17/2023</b>	GROUP LEADER	DATE		DESCRIPTION: <b>PROFILE ALIGNMENT STRIP</b> PROJECT: DUNE-FAR DETECTOR PROJECT NUMBER: PRJ1008428	PART NUMBER: <b>DFD-22-5526</b>
	CHECKED BY:	DATE:	PROJECT MGR	DATE			
	RESPONSIBLE ENGINEER: <b>V GUARINO</b>	DATE:	APVD/RELEASED	DATE			
MATERIAL: <b>G10</b>	SCALE: <b>1:1</b>	SHEET: <b>1 OF 1</b>	SHEET SIZE: <b>B</b>				

Readily available G10 sheets in US:  
**1/16" (= 1.59 mm) or 3/32" (= 2.38 mm)**

# FC Endcap Rivet and Profile

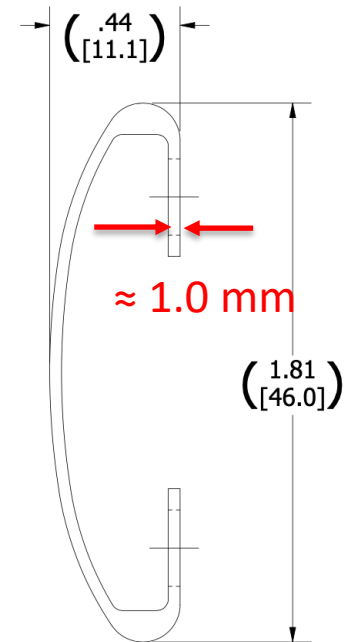
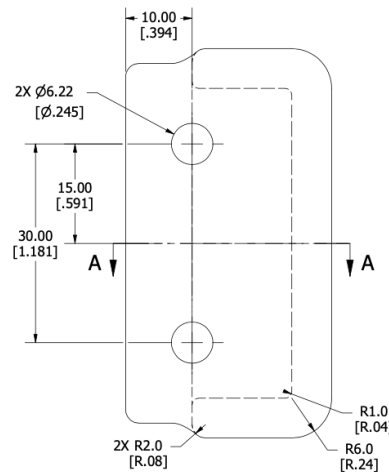
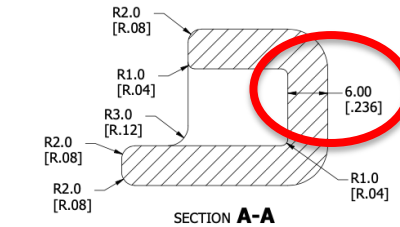


## Nominal dimensions:

- 9.27 mm
  - 6.0 mm
  - 1.0 mm
  - 2.38 mm

---

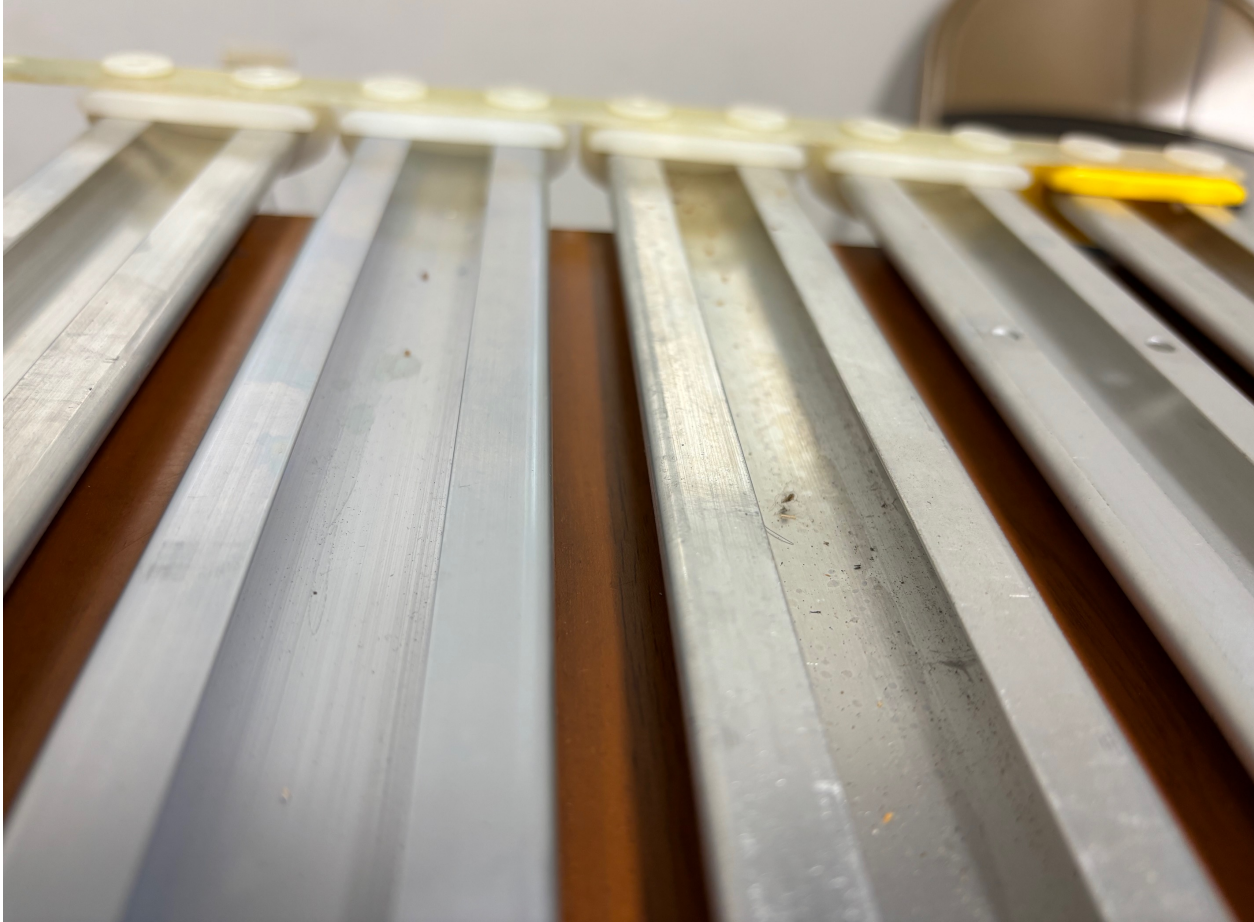
≈ - 0.11 mm



# FC G10 strips, Endcap, Rivet, Al Profile

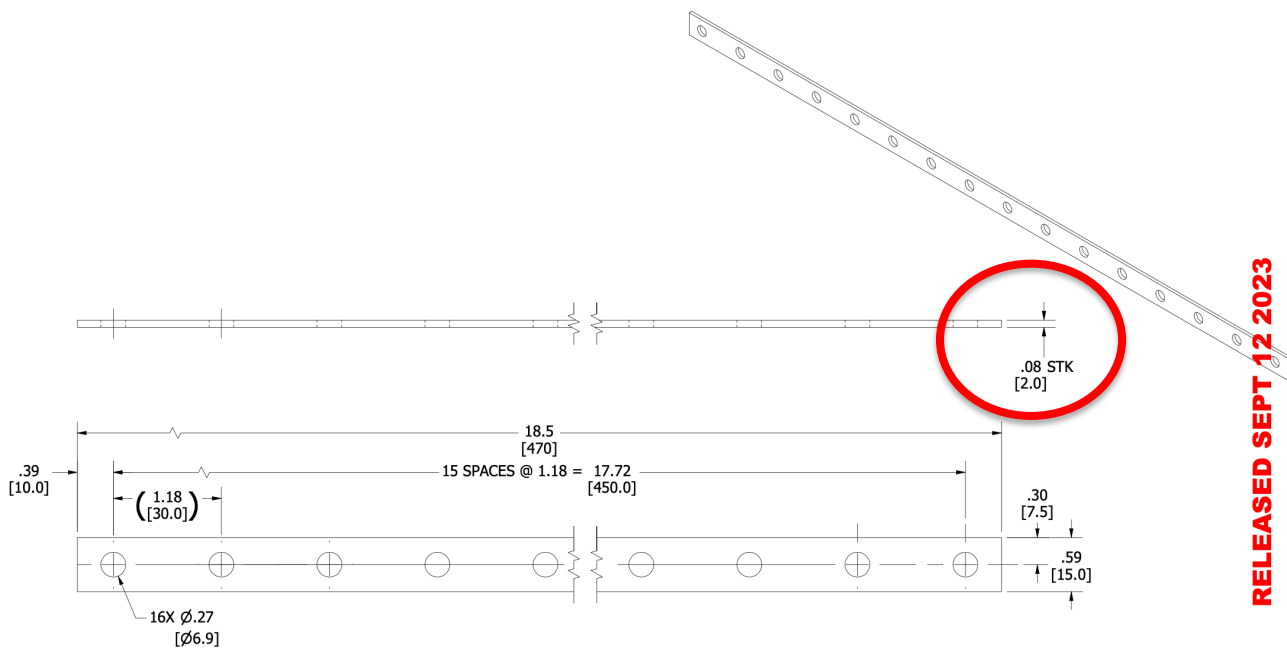


# FC G10 strips, Endcap, Rivet, Al Profile





➔ Rivets engage easily and lead to reliable attachment of G10 Alignment Strip

# FC Endwall Alignment Strip



RELEASED SEPT 12 2023

- NOTES:  
 1 - ALL DIMENSIONS IN INCHES [mm].  
 2 - APPROX. WEIGHT = 0.1 LBS

<b>UNLESS OTHERWISE NOTED</b> ALL DIMENSIONS ARE INCHES		STATUS: <b>RELEASED</b>		DO NOT SCALE DRAWING		NEXT ASSEMBLY: DFD-22-5520, -5540		QTY. REQ'D		
DECIMAL TOLERANCE	± .1	DRAWN BY	DATE	GROUP LEADER	DATE					
.X	± .01	RTKMAK	2/17/2023							
.XX	± .005	CHECKED BY	DATE	PROJECT MGR	DATE	DESCRIPTION: <b>PROFILE ALIGNMENT STRIP</b>				
.XXX	± .0005									
ANGULAR TOL	± 1/2	RESPONSIBLE ENGINEER	DATE	APVD/RELEASED	DATE	PROJECT: DUNE-FAR DETECTOR PROJECT NUMBER: PRJ1008428				
FRACTIONAL TOL	± 1/64	V GUARINO								
THIRD ANGLE PROJECTION		MATERIAL	G10	SCALE	1:1	SHEET	1 OF 1	SHEET SIZE	B	
REMOVE ALL BURRS AND SHARP EDGES SURFACES TO BE IN ACCORDANCE WITH LATEST AND EARLIER DIMENSIONS & TOLERANCES IN ACCORDANCE WITH LATEST ASME Y14.5M						PART NUMBER:		<b>DFD-22-5526</b>	REV	<b>00</b>

Propose to change drawing to indicate/allow thickness of : 3/32" (= 2.38 mm)