

FD3 2t prototype activities at CERN

➔ Buildings 185 & 182



Vlada Yevarouskaya

2t prototype status

➔ Shipment from the University of Minnesota (last Friday):



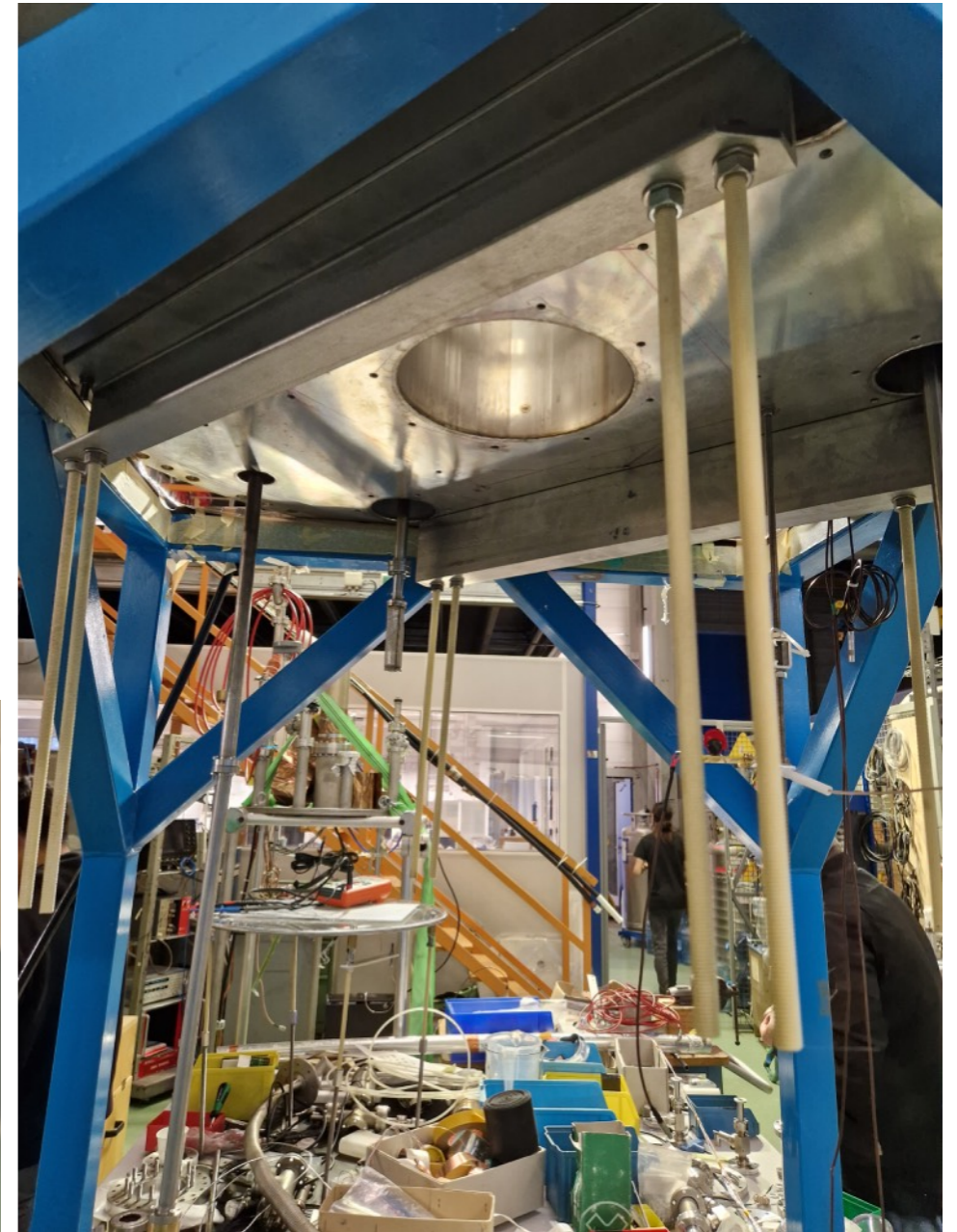
2t prototype status

➔ Monting SS top to the flange:



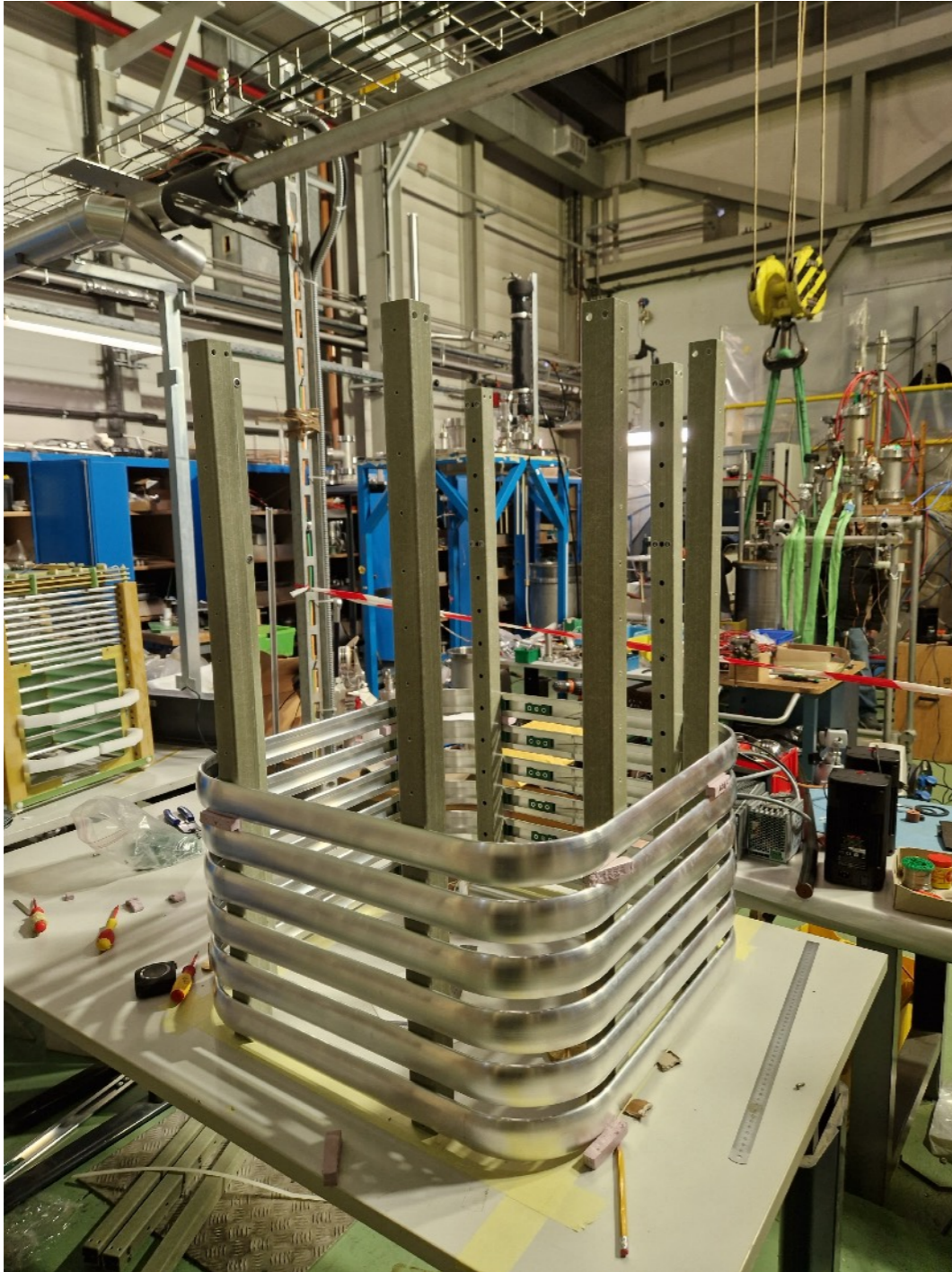
- Drilled holes were not aligned with those on the flange

- Fixed by elongating the holes



2t prototype status

➔ Started to mount the profiles

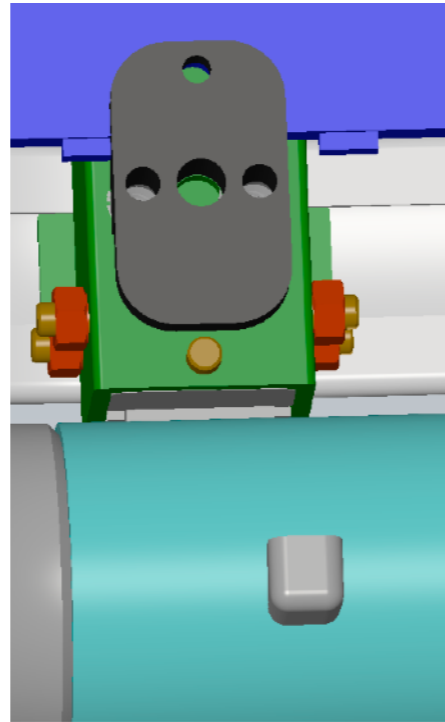


- Work in progress

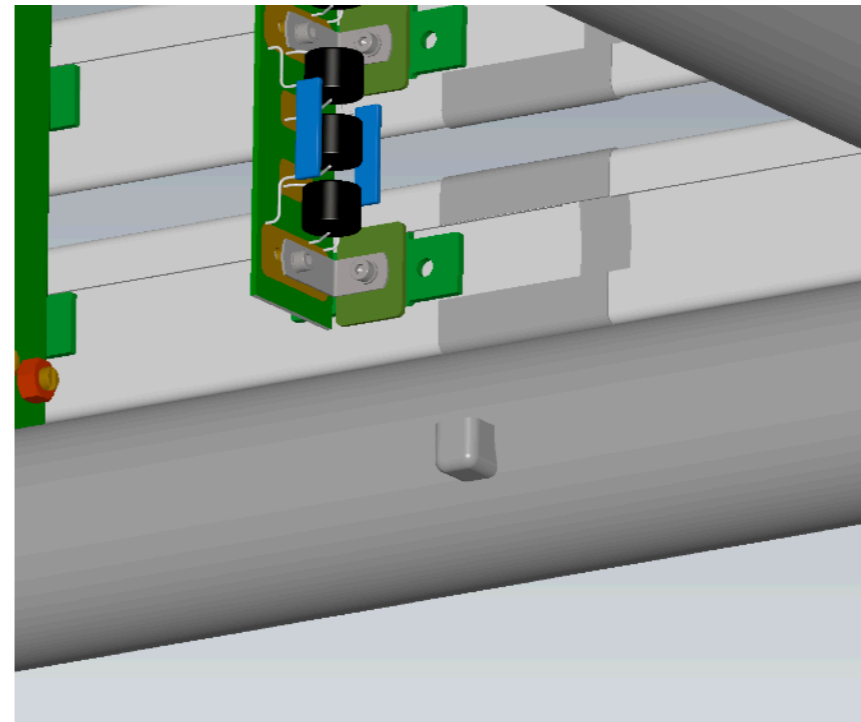
2t prototype status

→ Some questions:

- How the clip is mounted?



- How the voltage divider is connected to the cathode?



THANK YOU!