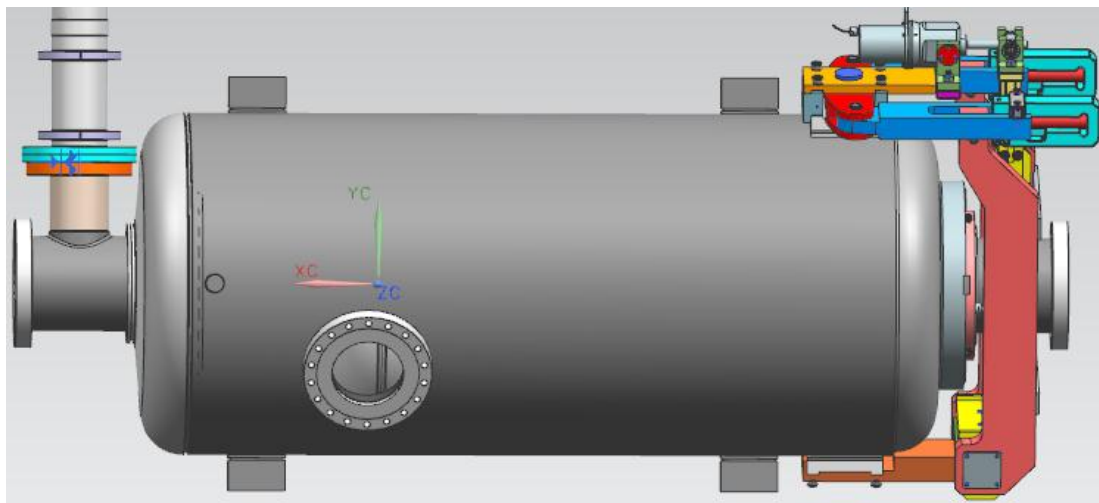
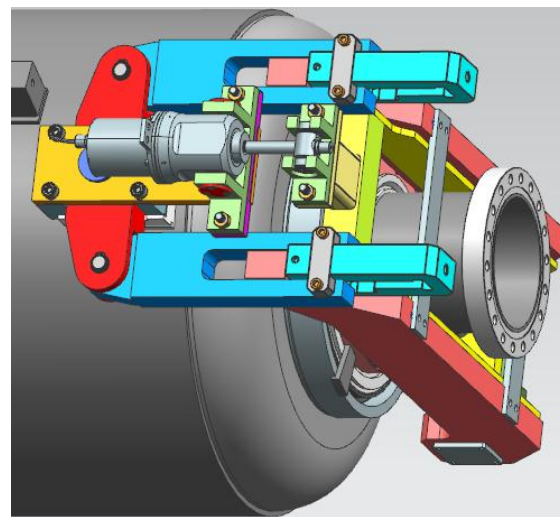
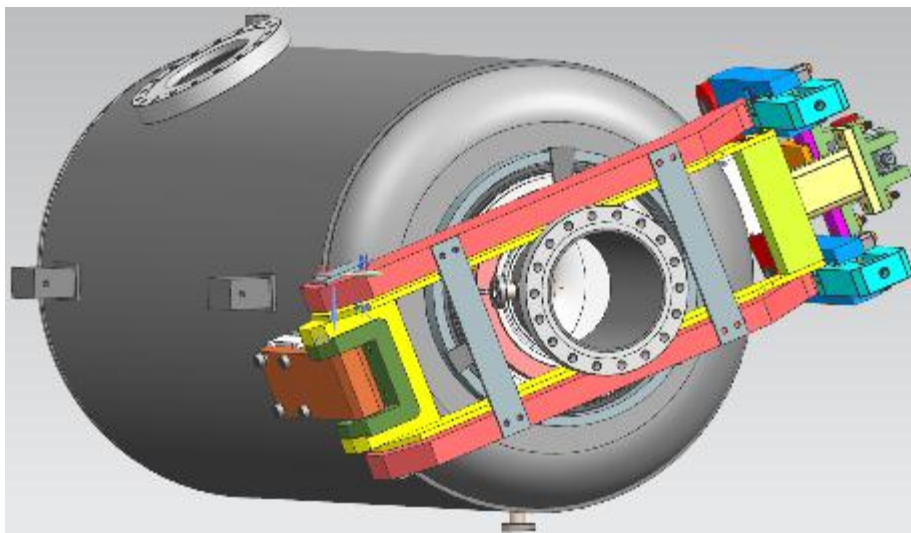


# Evgueni Borissov. Lever Tuner for beta 0.92 and 0.90 cavities



1. Develop Lever Tuner for beta 0.92 dressed cavity
2. Adapt same tuner for beta 0.9 dressed cavity with minimum modifications



3D model of Lever Tuner for beta 0.92 is ready.

Same tuner could fit beta 0.9 cavity. This work started and needs 1-2 weeks more of work