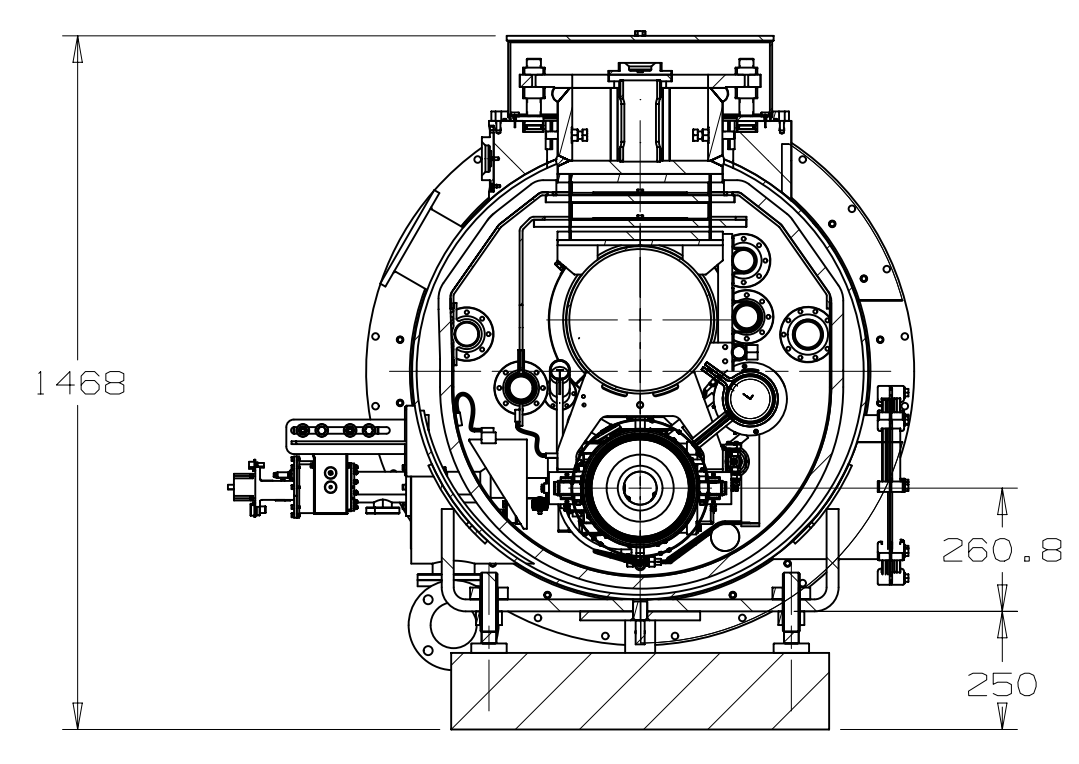
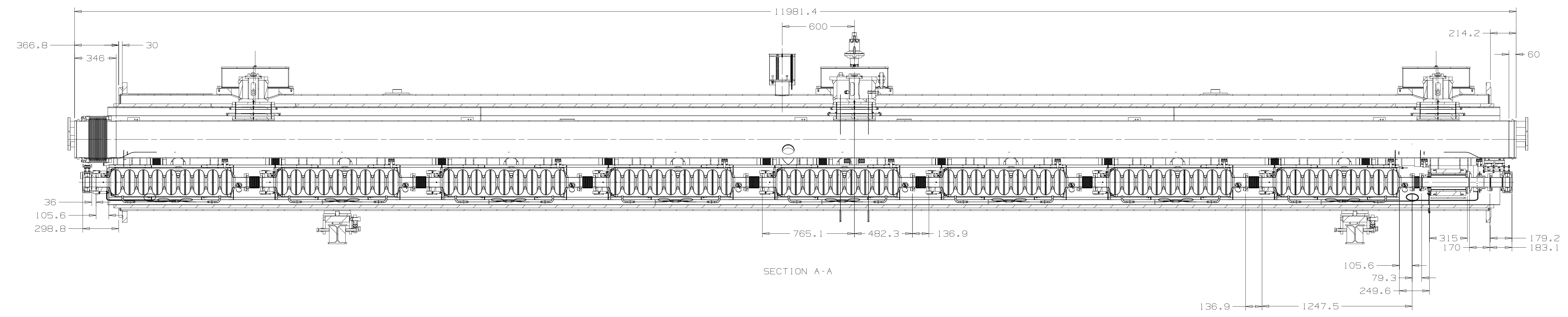
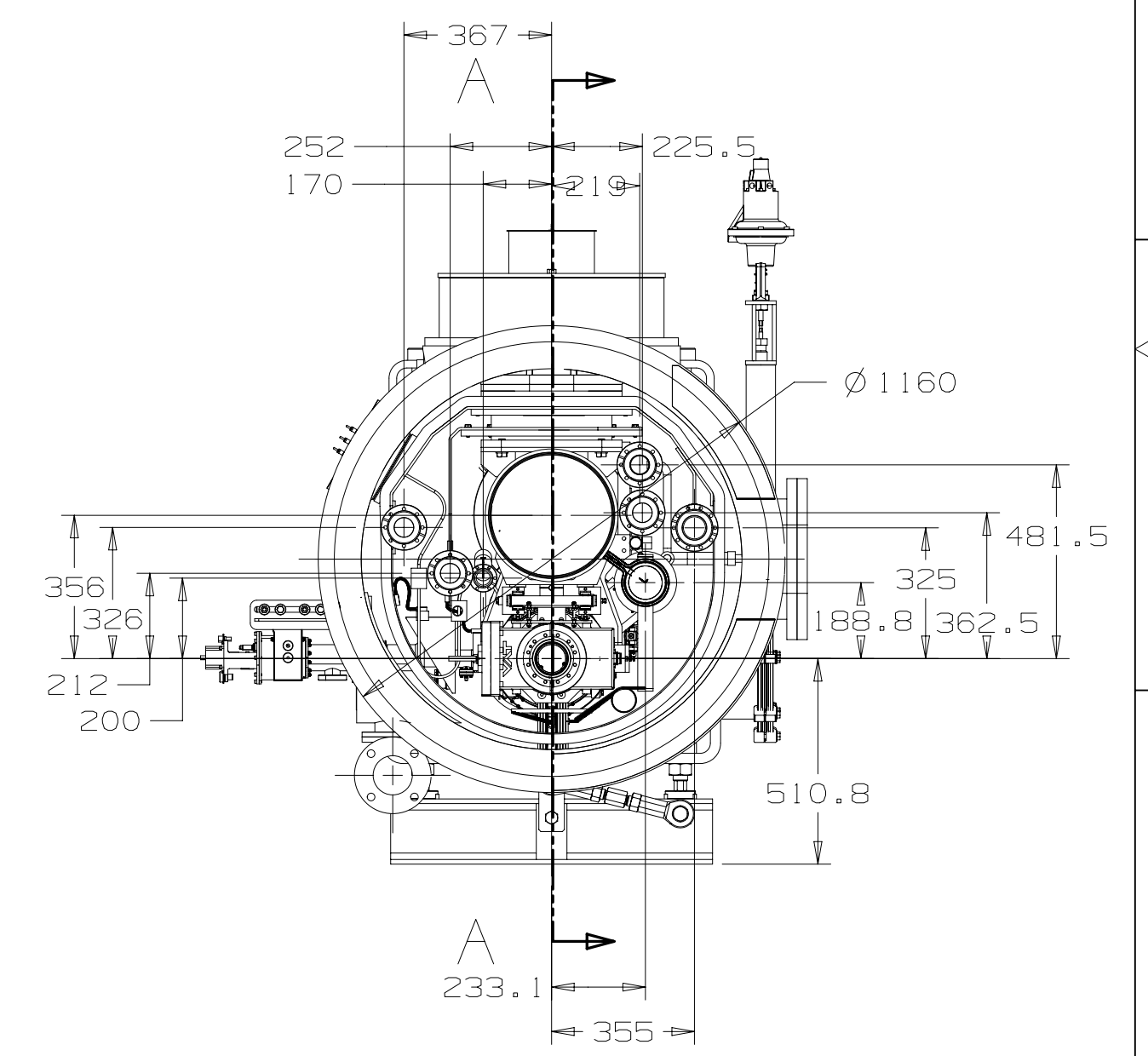
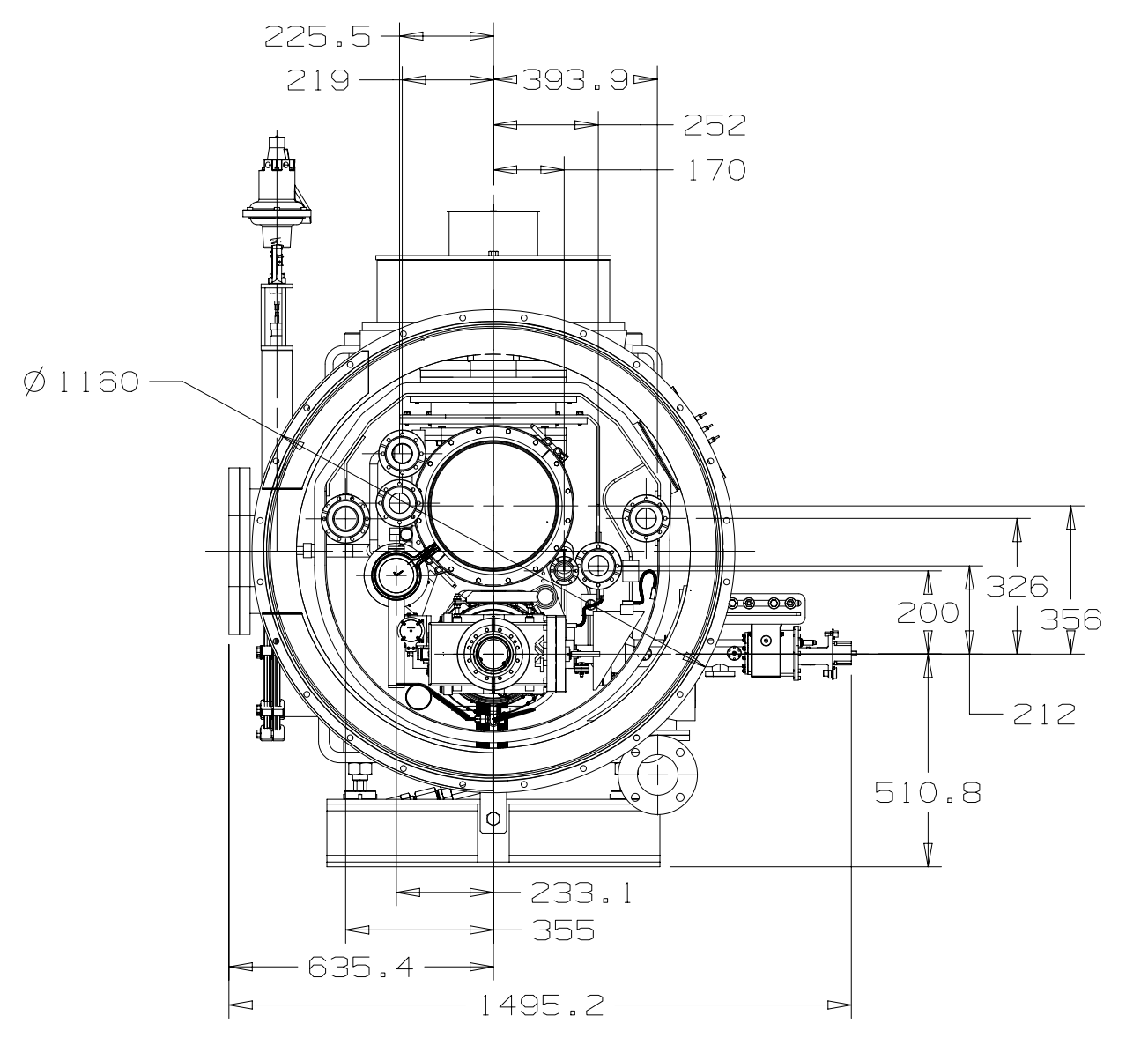
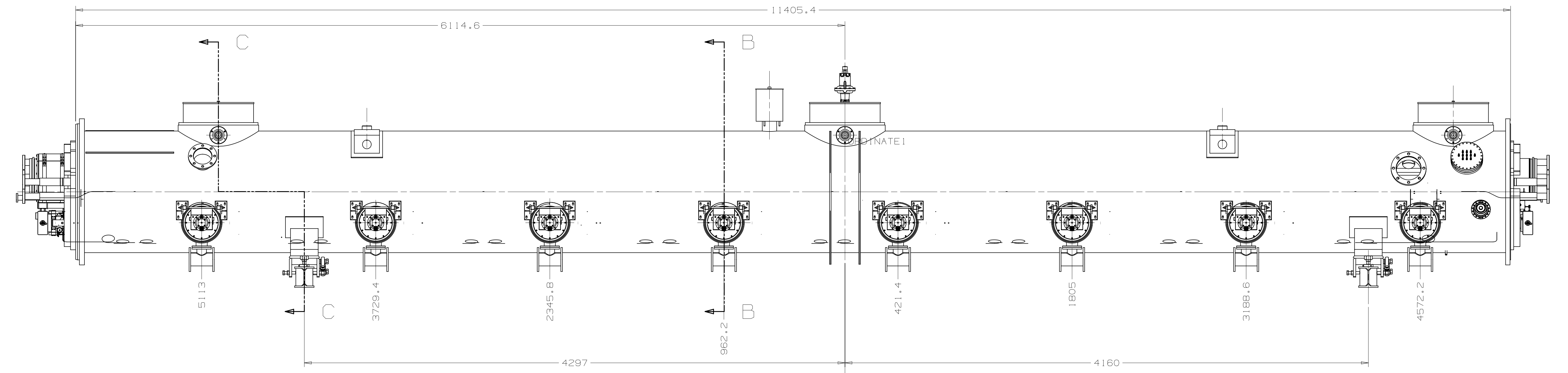
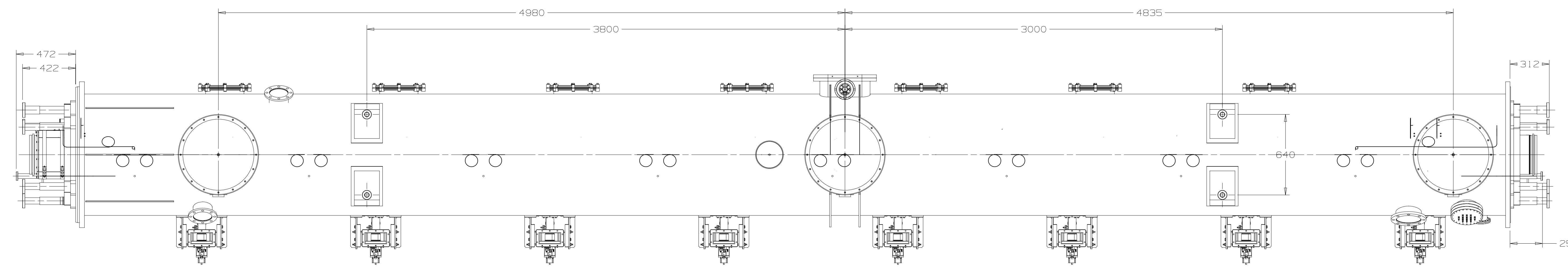
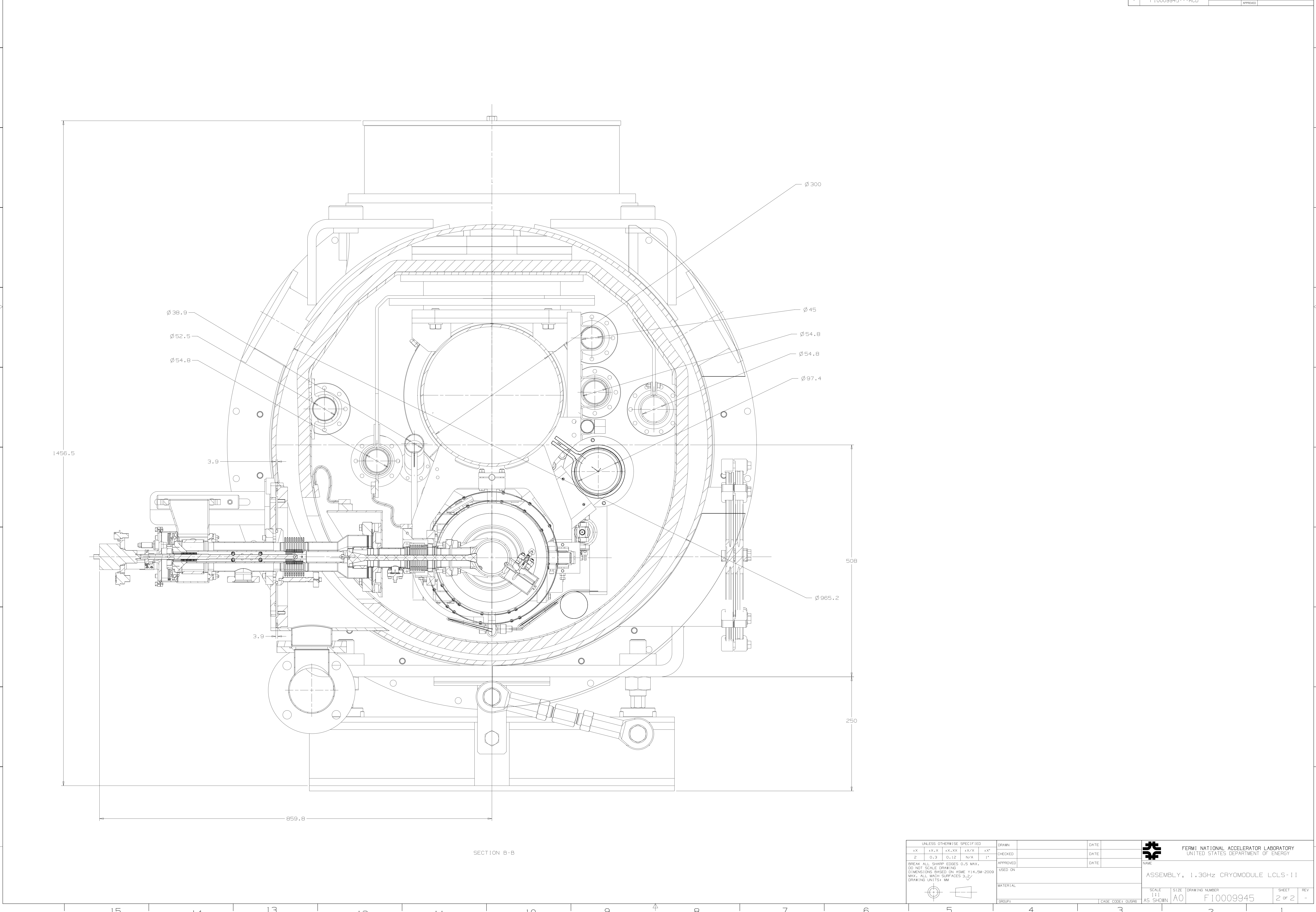


REV	REVISION	CONTROL DOCUMENT	DATES	SIGNATURES
-	F10009945	-	-	-



UNLESS OTHERWISE SPECIFIED					DRAWN	DATE	 FERMI NATIONAL ACCELERATOR LABORATORY UNITED STATES DEPARTMENT OF ENERGY NAME:
±X	±X.X	±X.XX	±X/X	±X"	CHECKED	DATE	
Z	0.3	0.12	N/A	1"	APPROVED	DATE	
BREAK ALL SHARP EDGES 0.5 MAX. DO NOT SCALE DRAWING DIMENSIONS BASED ON ASME Y14.5M-2009 MAX. ALL MACH SURFACES 3.2 DRAWING UNITS: MM					USED ON		
 					MATERIAL		ASSEMBLY, 1.3GHz CRYOMODULE LCLS-11 SCALE: 1:1 SIZE: A0 DRAWING NUMBER: F10009945 SHEET: 1 of 2 REV: -
					GROUP:		CAGE CODE: 05986



REV	REVISION	CONTROL DOCUMENT	DATES	DRAWN	SIGNATURES
-	F10009945	-	RCD		

SECTION B-B

UNLESS OTHERWISE SPECIFIED					DRAWN	DATE	FERMILAB FERMILAB NATIONAL ACCELERATOR LABORATORY UNITED STATES DEPARTMENT OF ENERGY
±X	±X.X	±X.XX	±X/X	±X"	CHECKED	DATE	
Z	0.3	0.12	N/A	1"	APPROVED	DATE	NAME
BREAK ALL SHARP EDGES 0.5 MAX.					USED ON		
DO NOT SCALE DRAWING					MATERIAL		
DIMENSIONS BASED ON ASME Y14.5M-2009					SCALE		
MAX. ALL MACH SURFACES 3.2					SIZE		
DRAWING UNITS: MM					DRAWING NUMBER		
					SHEET		
GROUP					REV		
CASE CODE: 06586					AS SHOWN A0 F10009945 2 of 2 -		